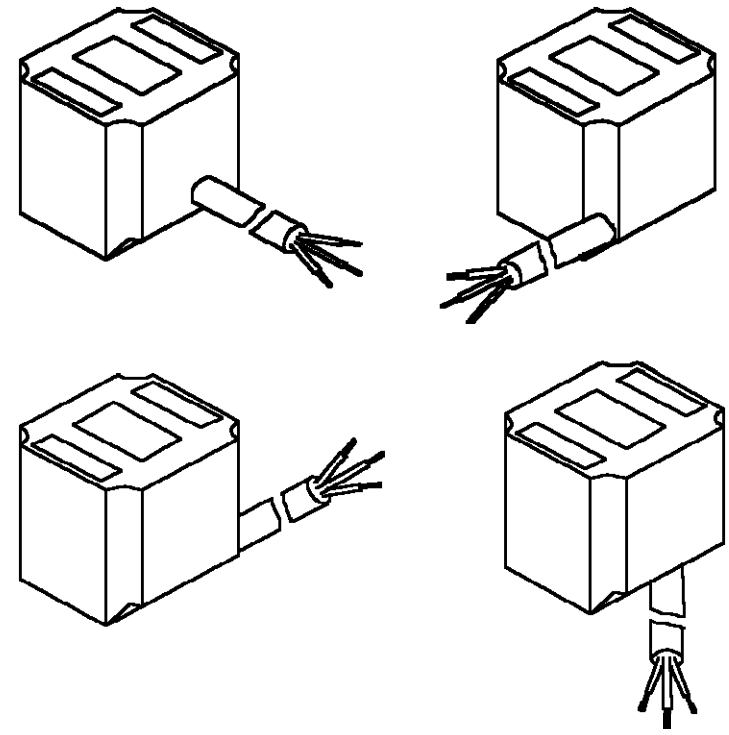
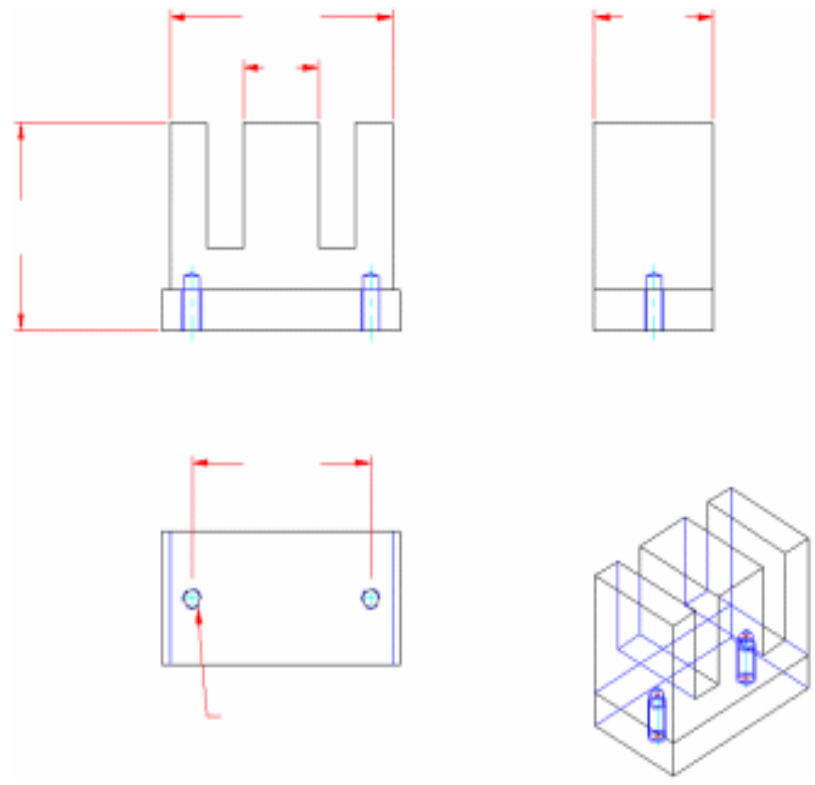


Coil Identifier



Please Note:

Please dimension the sketch as fully as possible. The insulating material surrounding the legs of the coil is not shown. Please fill in the overall dimensions with the insulating material on the drawing at right. If your coil has features not illustrated in any drawing, sketch them in as well as possible. Mounting holes are very important. Please be sure they are dimensioned for size and location.

Voltage: _____ **Cord Length:** _____ **Cord Gauge:** _____

